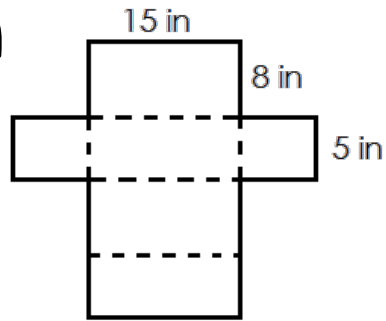
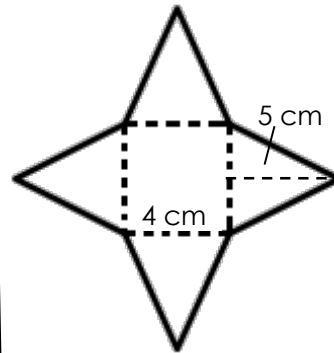


# Rectangular Prism



Surface Area =

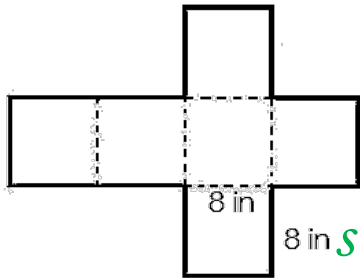
# Pyramid



Surface Area =

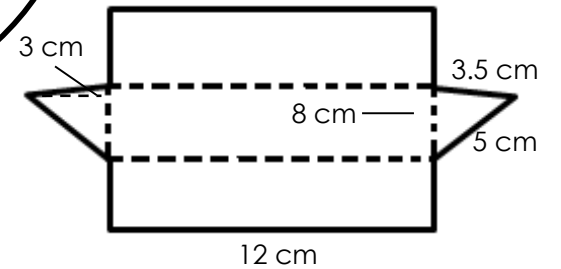
# SURFACE AREA

# Cube

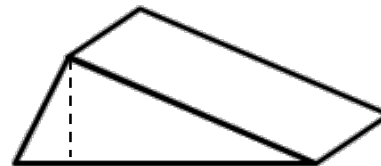


Surface Area =

# Triangular Prism



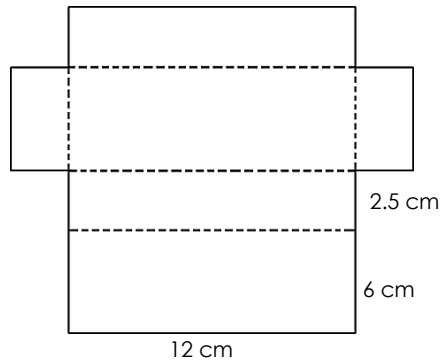
Surface Area =



**Practice:** Surface Area Using Nets

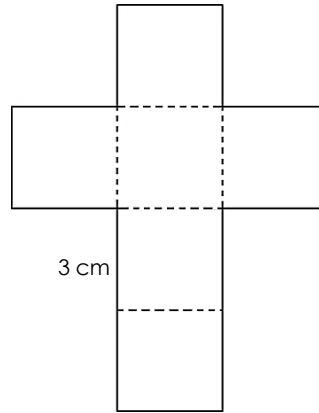
Use the nets to find the surface area of each figure.

1)



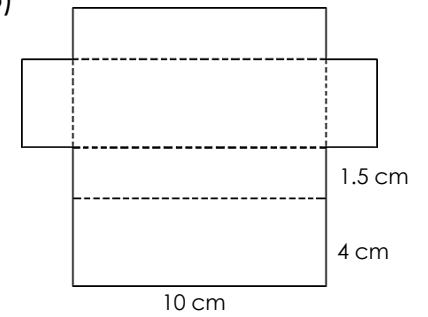
SA = \_\_\_\_\_

2)



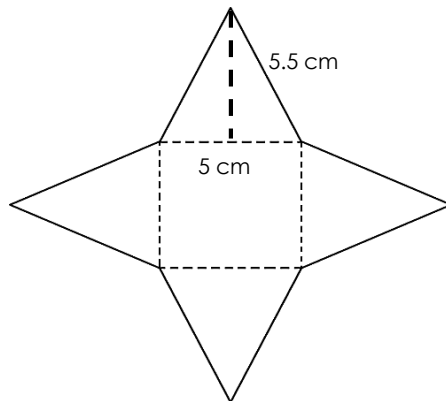
SA = \_\_\_\_\_

3)



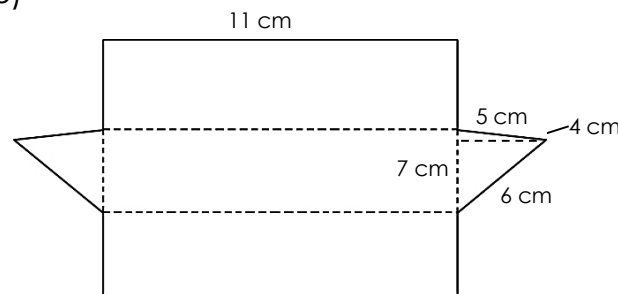
SA = \_\_\_\_\_

4)



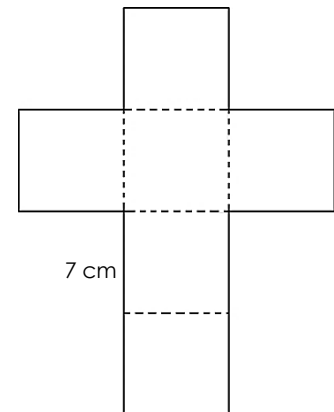
SA = \_\_\_\_\_

5)



SA = \_\_\_\_\_

6)



SA = \_\_\_\_\_