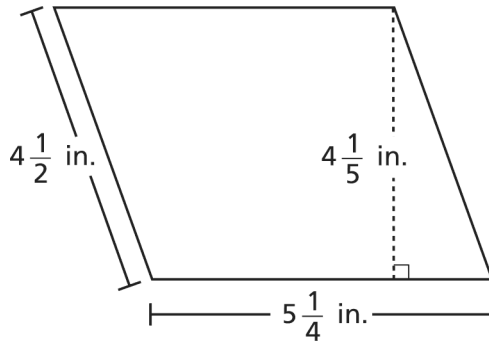


# Geometry

Name: \_\_\_\_\_

Date: \_\_\_\_\_

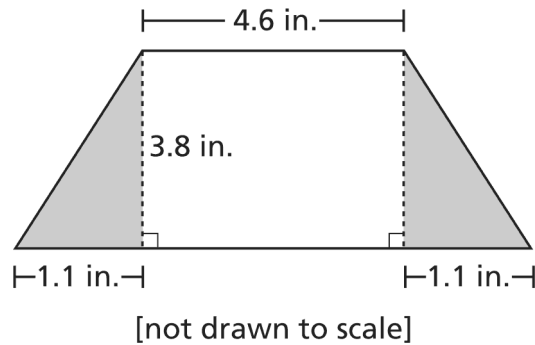
1. Erica drew the parallelogram below.



Which expression can Erica use to find the area of the parallelogram?

- A.  $5\frac{1}{4} \times 4\frac{1}{5}$       B.  $\frac{1}{2}(5\frac{1}{4} \times 4\frac{1}{5})$       C.  $2 \times (5\frac{1}{4} + 4\frac{1}{2})$       D.  $5\frac{1}{4} \times 4\frac{1}{2}$

2. The trapezoid shown below has an area of 21.66 square inches.

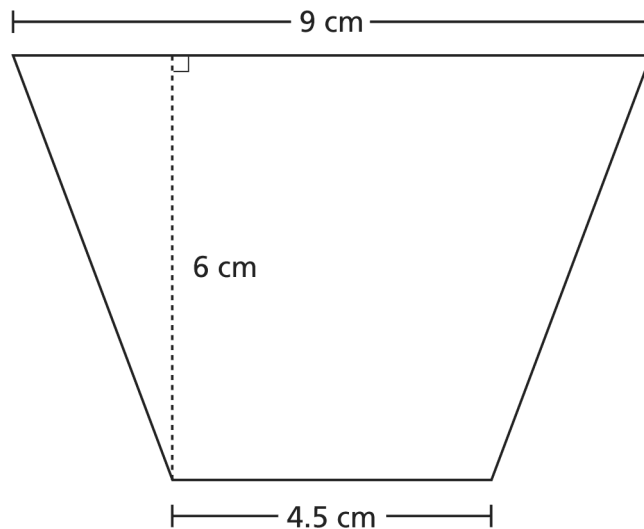


What is the total area of the shaded sections of the trapezoid?

- A. 2.09 square inches      B. 4.18 square inches  
C. 4.86 square inches      D. 8.74 square inches

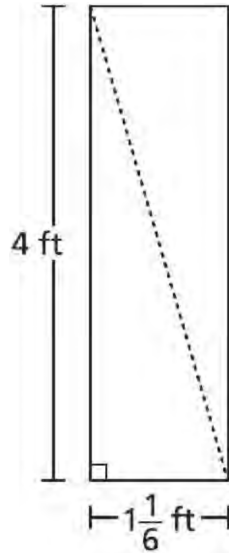
3. A shape is made of 12 right triangles of equal size. Each right triangle has a base of 4 cm and a height of 5 cm. What is the total area, in square centimeters, of the shape?
- A. 10                      B. 60                      C. 120                      D. 240

4. What is the area of the isosceles trapezoid shown?



- A.  $27\text{ cm}^2$                       B.  $33.8\text{ cm}^2$                       C.  $40.5\text{ cm}^2$                       D.  $54\text{ cm}^2$

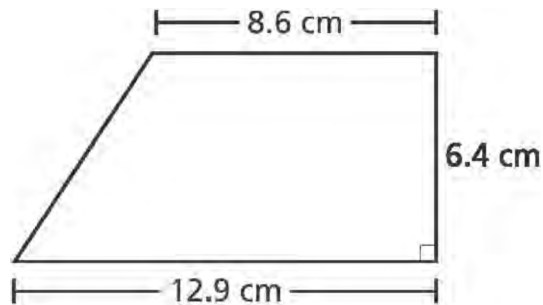
5. Theo made sails for a model boat. He cut along the diagonal of a rectangular piece of cloth to make two sails, as shown below.



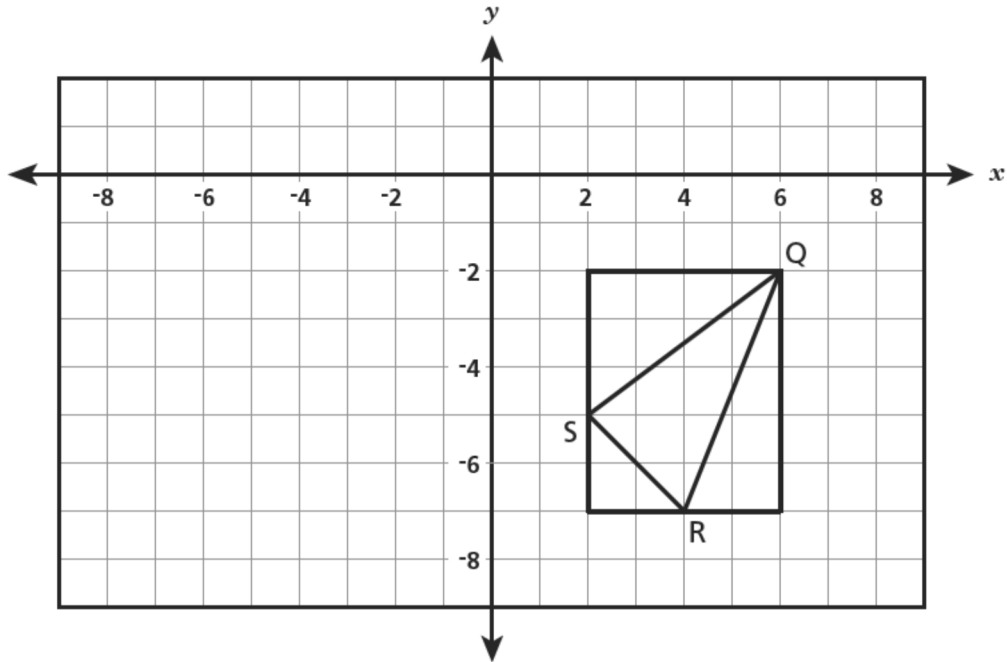
What was the area, in square feet, of one sail?

- A.  $9\frac{1}{3}$                       B.  $4\frac{2}{3}$                       C.  $2\frac{7}{12}$                       D.  $2\frac{1}{3}$

6. What is the area, in square centimeters, of the trapezoid below?

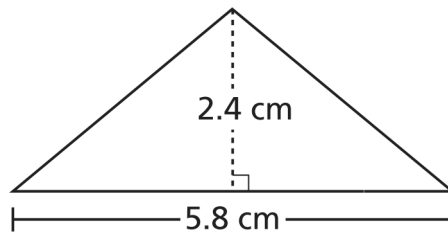


7. Triangle  $QRS$ , with vertices  $Q(6, -2)$ ,  $R(4, -7)$ , and  $S(2, -5)$ , is drawn inside a rectangle, as shown below.



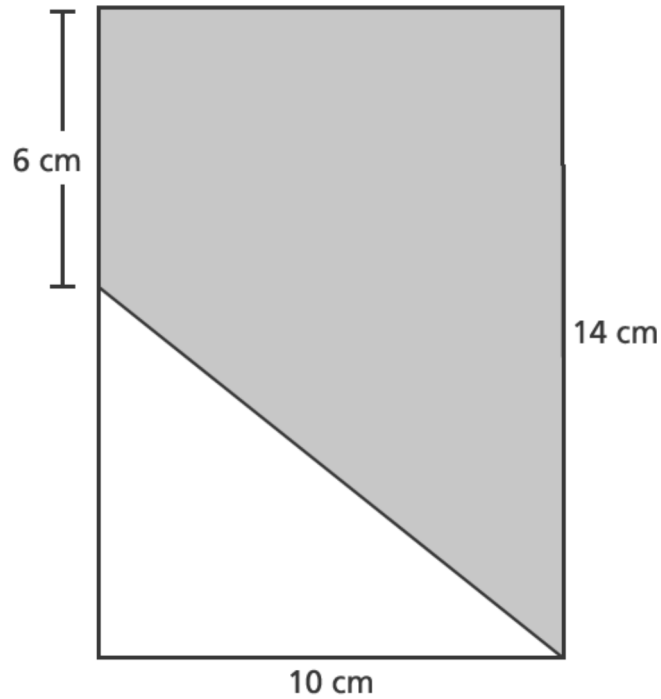
What is the area, in square units, of triangle  $QRS$ ?

- A. 7                                      B. 10                                      C. 13                                      D. 18
8. What is the area, in square centimeters, of the figure below?



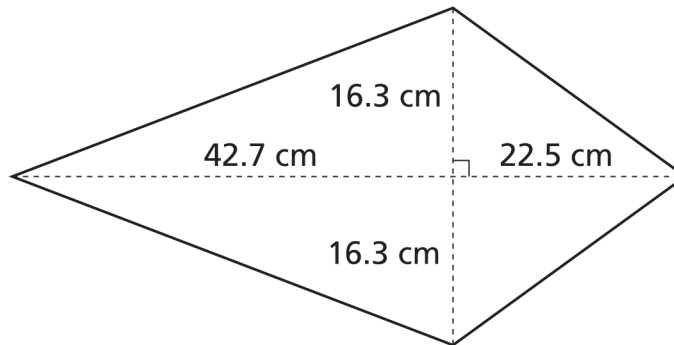
- A. 6.96                                      B. 10.6                                      C. 13.92                                      D. 17.4

9. What is the area, in square centimeters, of the shaded part of the rectangle shown below?



- A. 20                      B. 60                      C. 100                      D. 140

10. Noah wants to make the kite shown below out of cloth.



He wants to determine how much cloth he needs. What is the area, rounded to the nearest square centimeter, of Noah's kite?

- A. 531                      B. 1,063                      C. 1,430                      D. 2,126